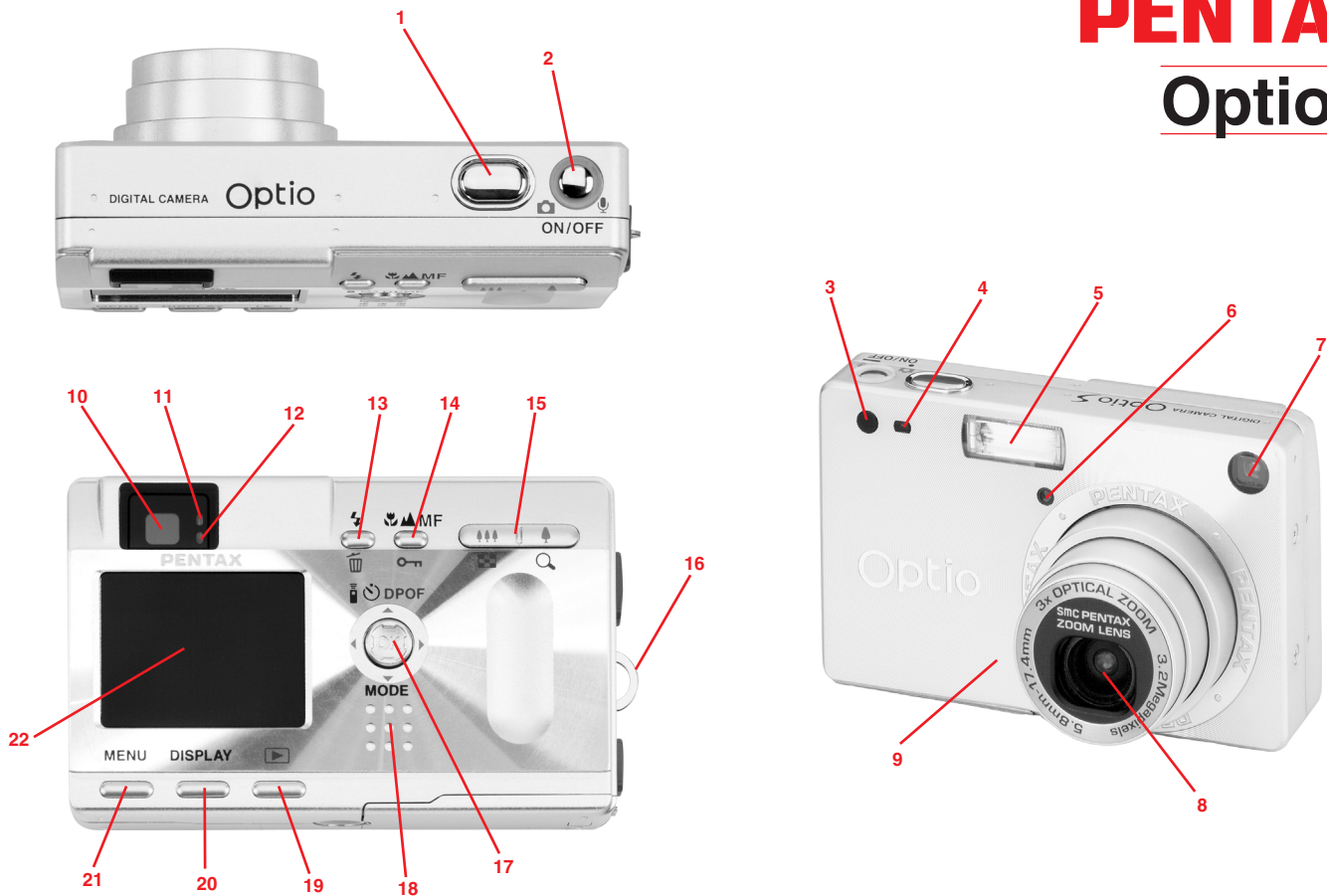


# PENTAX®

## Optio S



### Optio S - One of the world's smallest 3.2 megapixel, 3X optical zoom digital cameras.

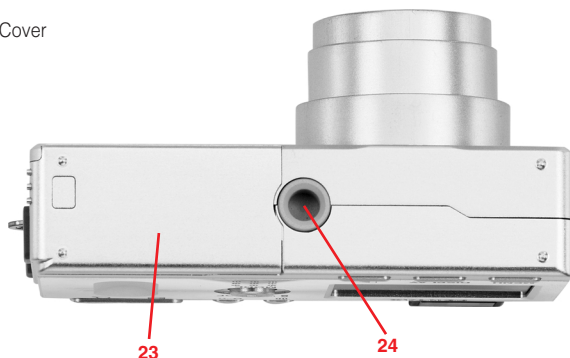
1. Shutter Release Button
2. Power Button
3. Remote Control Receiver
4. Self-timer Lamp
5. Zoom Flash
6. Light Sensor
7. Viewfinder Window
8. Zoom Lens
9. Built-in Microphone
10. Viewfinder
11. Autofocus Ready Lamp
12. Flash Ready Lamp
13. Flash Mode Button
14. Focus Mode Button
15. Zoom Lever
16. Strap Lug
17. Four-way Controller/Drive/Mode & OK Button
18. Playback Speaker
19. Review Button
20. Display Button
21. Menu Button
22. LCD Panel

- Ultra lightweight aluminum alloy body weighs only 3.5 oz.
- Ultra compact, measures 3.3 x 2.0 x 0.8 inches
- Detailed imaging with a 3.2 MegaPixel CCD
- Precision and clarity through an smc PENTAX 3x optical zoom lens equivalent to 35-105mm in 35mm film format, 12x combined zoom
- Revolutionary Sliding Lens system contributes to stylish compact body design
- Voice recording mode – audio capability that rivals stand alone audio recording devices
- Movie mode records 30 seconds of footage as an AVI file with sound
- Seven Auto Picture Modes: Landscape, Flower, Portrait, Self portrait, Surf & Snow, Autumn color and Sunset
- Convenient USB connection to your computer
- LCD monitor bright enough for use even in direct sunlight
- Three metering options: Multi-segment, Center-weighted, Spot
- 11MB internal memory
- Includes a long-life rechargeable Lithium-ion battery
- Along with the intuitive, easy-to-use menu, there are a variety of shooting modes through use of Virtual Mode Dial
- Three capture settings with three JPEG quality settings each
- TTL contrast detection autofocus system with 7-point wide-focus, spot focus and infinity landscape mode
- Free Focus mode allows you to place focus point anywhere in the image area
- JPEG (Exif.) 2.2, DPOF and Epson PRINT Image Matching II technology assures the highest quality prints
- 3D and Panorama assist modes
- Alarm clock with sound and picture wake-up

# PENTAX®

## Optio S

- 23. Battery/SD Card Chamber Cover
- 24. Tripod Socket
- 25. DC Terminal Cover
- 26. USB/AV Terminal Cover



### Specifications

#### Type

Compact-type digital still camera with built-in zoom lens, autofocus, auto exposure and auto flash

#### Effective Pixels

3.2 megapixels

#### Image Capture Device

**Type** - 1/2.5 inch interline transfer CCD with a primary color filter

**Total Pixels** - 3.34 megapixels

**Color Depth** - 10 bit x 3 colors

**Recorded Pixels** - Still: 2048x1536 pixels, 1600x1200 pixels, 1024x768 pixels, 640x480 pixels. Movie: 320x240.

#### Focus System

**Type** - TTL contrast detection autofocus system

**Autofocus** - 7 point AF, Spot AF & Infinity Landscape Mode

**Manual Focus** - 2.4 inches (0.06m) to Infinity

#### Focusing Range

- Normal: 1.31 ft (0.4m) to Infinity

- Macro: 7.1 inches (0.18 m) to 1.64 ft (0.5m)

- Super Macro: 2.4 inches (0.06m) to 7.9 inches (0.2m) at 10.2mm

#### Lens

smc PENTAX power zoom

**Focal Length** - 5.8mm- 17.4mm

**35mm Equivalent** - 35mm-105mm

**Aperture Range** - f2.6- f4.8

**Construction** - 6 elements in 5 groups (2 dual-sided aspherical elements)

**Optical Zoom** - 3 X

**Digital Zoom** - 4 X

**Combined** - 12 X

#### Exposure Control

**Light Metering Method** - TTL metering with choice of: Multi-segment, Center-weighted & Spot meter

**Sensitivity** - Auto, or user select ISO 50, 100, 200

**Exposure Control Method** - Program AE

**Exposure Modes** - Program, Picture mode, Night scene, Movie, Panorama assist, 3D image, Digital filter, User

**Exposure Compensation** - +/-2 EV (1/3 steps)

#### Shutter

Type - Programmed AE electronic lens shutter with CCD electronic shutter

Shutter Speed - approx. 1/2000 - 1 second

#### White Balance

White Balance Control - TTL Auto, Pre-set, Custom White Balance

Available Settings - Auto, Daylight, Shade, Tungsten Light, Fluorescent Light, Manual

#### Flash

Operation Modes - Auto, Flash-Off, Flash-On, Auto + red-eye reduction, Flash-On + red-eye reduction

#### Viewfinders

**Optical Viewfinder** - Actual Image zoom viewfinder

**LCD Monitor** - 1.6 inch, TFT color LCD-with Histogram Display

**LCD Coverage** - 100%

**LCD Resolution** - 84K Pixels

#### Shooting Specifications

**Shooting Modes** - Program, Picture mode, Night scene, Movie, Panorama assist, 3D image, Digital filter, User

**Picture Modes** - Landscape, Flower, Portrait, Self-portrait, Surf & Snow, Autumn color, Sunset

**Digital Filter** - Black & White, Sepia, Red, Pink, Yellow, Green, Blue, Purple, Slim

**Drive Modes** - One-Shot, Continuous, Remote control, Self-timer-10 sec.

**Movie Mode** - Up to 30 seconds with sound

#### Time

**Modes** - dd/mm/yy, mm/dd/yy, yy/mm/dd

**World Time** - Display of the time in 62 cities (28 time zones)

**Alarm Clock** - Displays image with alarm (maximum of three memory settings)

#### Image Storage

**Storage Media** - 11MB built-in memory, SD memory card/MMC-removable

**File Formats** - Still: JPEG (Exif 2.2), DCF (Design rule for Camera File system), DPOF (Digital Print Order Format); Movie: AVI (Open DML motion JPEG Format) 12 fps with sound; Sound - WAV (ADPCM), Monaural. Recordable time depends on the remaining capacity of the memory card.

**JPEG Compression Mode** - Good, Better, Best. Recorded pixels with 11MB built-in memory.

	Best	Better	Good
2048x1536	5	9	14
1600x1200	9	15	21
1024x768	19	36	47
640x480	43	67	90

#### Viewfinder

**Optical Viewfinder** - Actual Image zoom viewfinder.

**LCD Monitor** - 1.6 inch, TFT color LCD - with Histogram Display

**LCD Coverage** - 100%

#### Playback Specifications

**Playback Modes File** - Single, Index- Nine image

**Magnification** - 4X

**Slide Show** - in playback mode

#### Erasing Specifications

**Erase Modes** - Single, All

**Image Protect** - Single, All

#### Interfaces

AV output terminal, USB terminal, DC input terminal

**Video output** - Compatible with NTSC and PAL formats (monaural sound)

#### Power Supply

**Power Source** - Rechargeable lithium-ion D-LI8 battery, AC adaptor kit (optional)

#### Physical Specifications

**Operating temperatures** - 32° - 104°F (0 - 40° Celsius)

**Camera Casing** - Aluminum alloy

**Dimensions (WxHxD)** - 3.3x2.0x0.8 Inches (83x52x20mm)

**Weight** - 3.5 oz (98g) without battery and SD memory card; 4.1 oz (115g) loaded and ready.

#### Computer System Requirements

**Mac Requirements** - OS: Mac OS 8.6 or later

(QuickTime 4.0 or later to view movies), CPU: Power PC 266MHz or higher, Memory: 8MB or more, Hard disk space: 6MB or more, Standard equipped USB port

**PC Requirements** - OS: Windows 98, 98 second edition, 2000, Me, XP Home edition / Professional, CPU: Pentium or later recommended, Memory: 64MB or more, Hard disk space: 15MB or more, Standard equipped USB port.